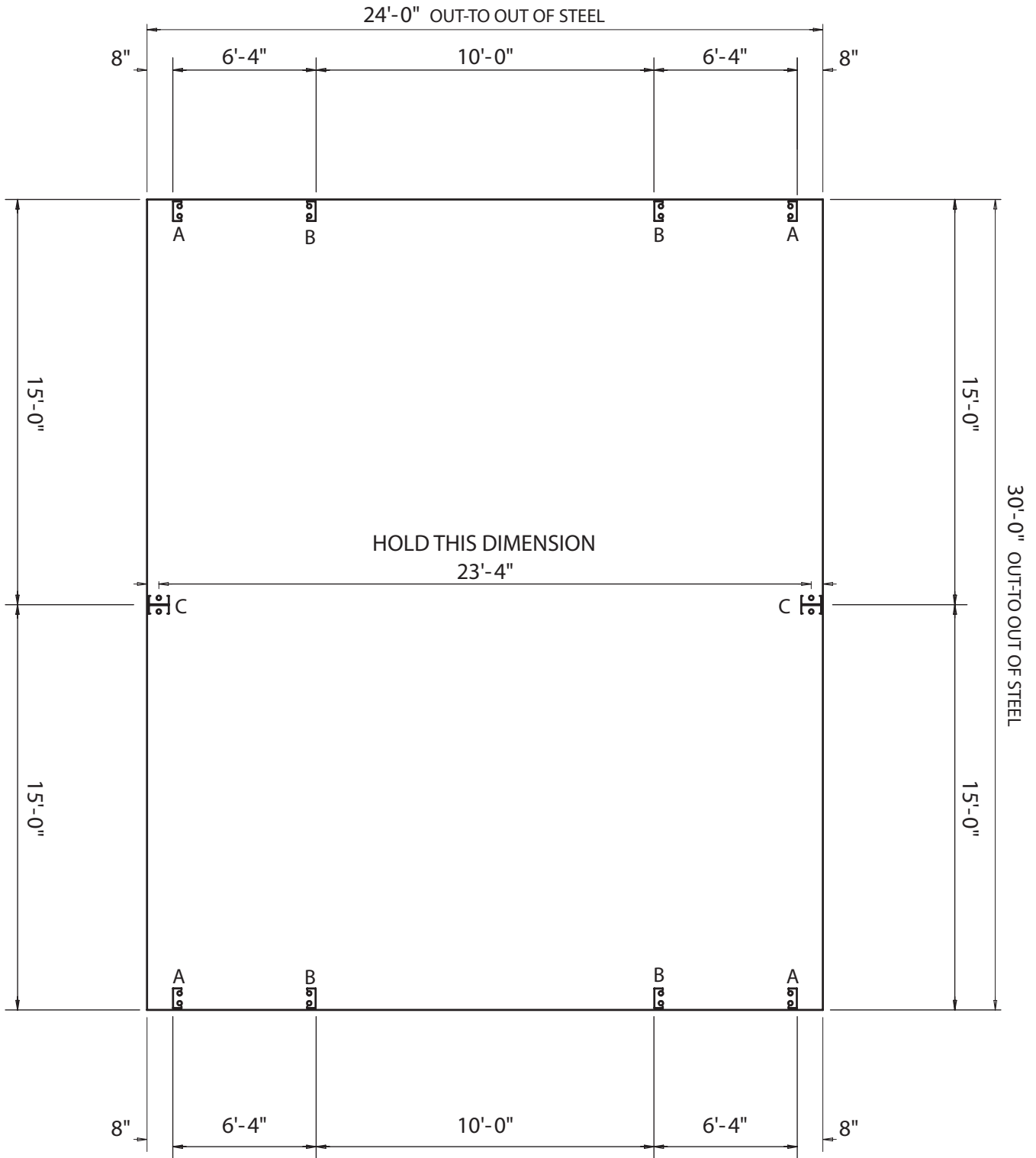


THIS SECTION IS INTENDED FOR YOUR CONCRETE FOUNDATION SPECIALIST

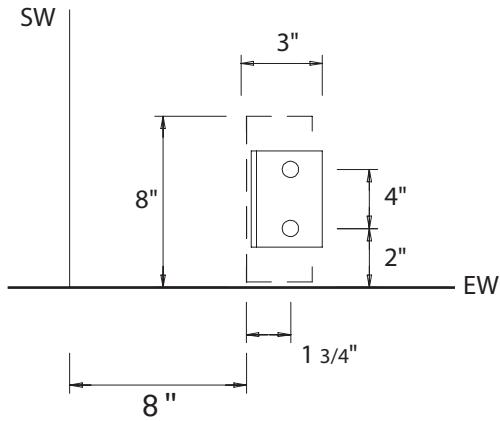


ANCHOR BOLT PLAN

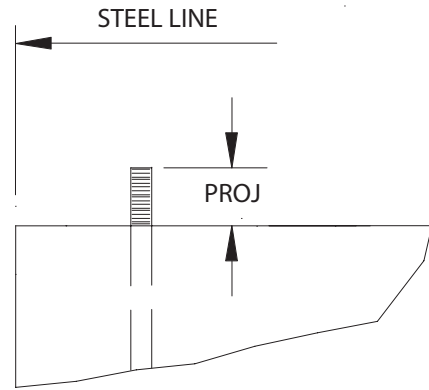
NOTE: All Base Plates at 100'-0" (U.N.)

THIS SECTION IS INTENDED FOR YOUR CONCRETE FOUNDATION SPECIALIST

Dia = 1/2"

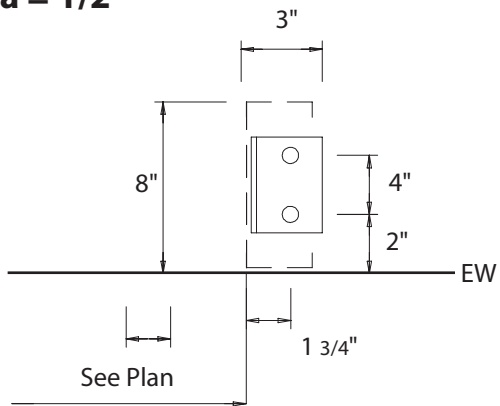


Detail A



ANCHOR BOLT PROJECTION

Dia = 1/2"

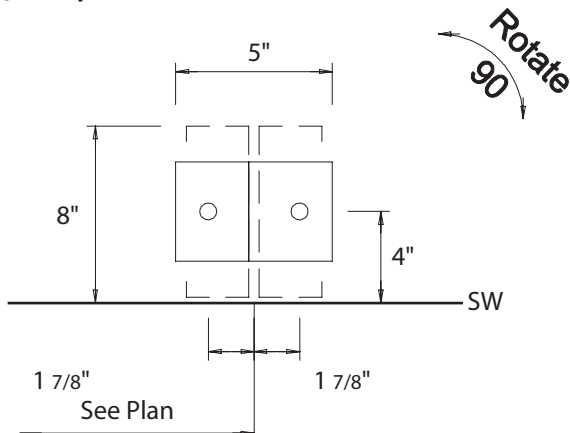


Detail B

1. The metal building manufacturer is responsible for the design of the anchor bolt diameter only to permit the transfer of forces between the base plate and the anchor bolt in shear, bearing and tension, but is not responsible for the anchor bolt embedment for transfer of forces to the foundation. The metal building manufacturer does not design and is not responsible for the design, material and construction of the foundation embedments. The end use customer should assure himself that adequate provisions are made in the foundation design for loads imposed by column reactions of the building, other imposed loads, and bearing capacity of the soil and other conditions of the building site. It is recommended that the anchorage and foundation of the professional engineer experienced in the design of such structures, (section a3 mbma 2006 metal building systems manual).

2. Bottom of all base plate are at the same elevation.
(Unless noted)

Dia = 1/2"



Detail C

